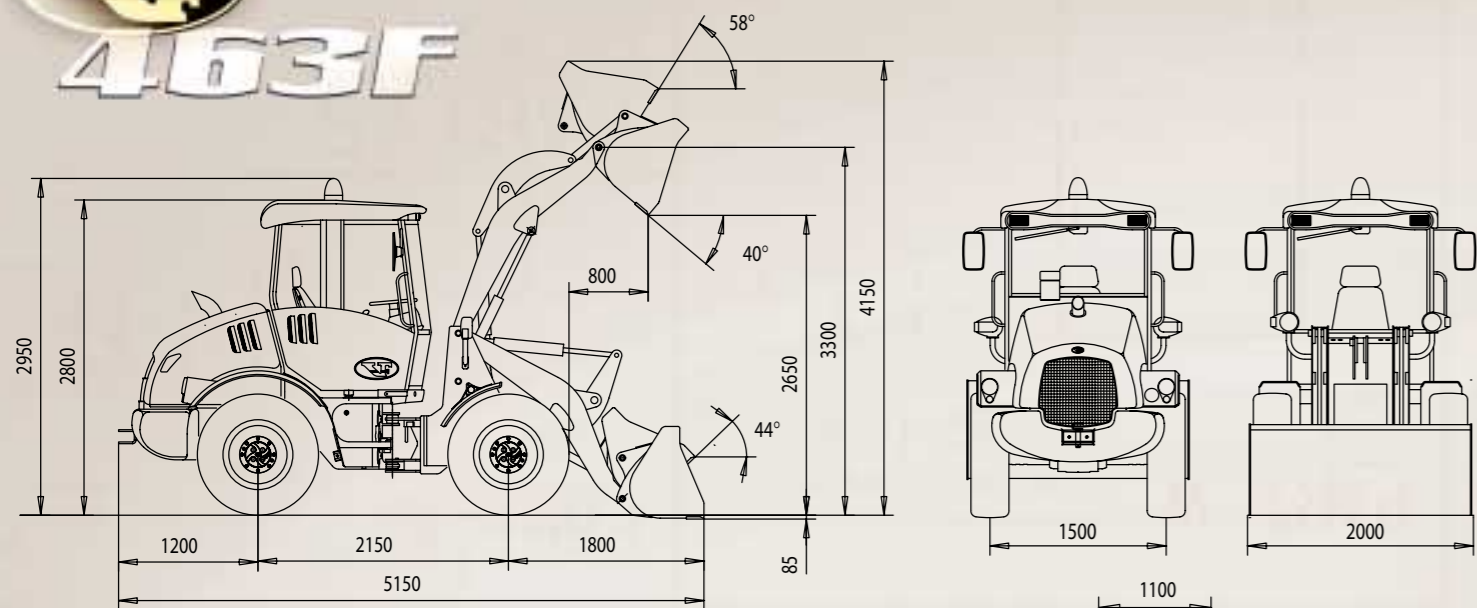




463F

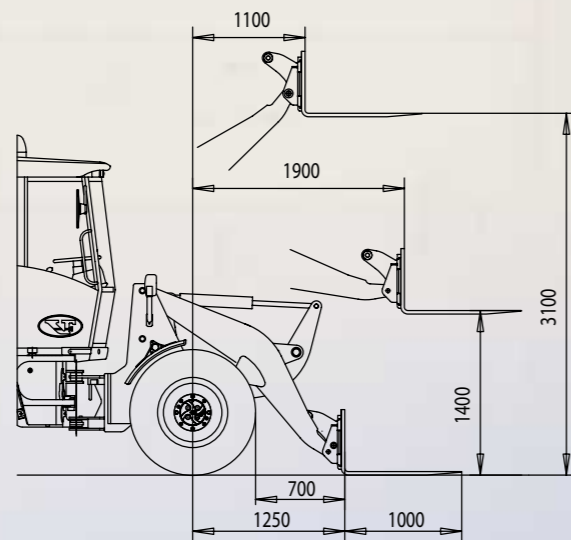


Loading bucket (kg)

Stating tipping load, full turn	3.400
Payload (50%)	1.700

Loading fork (kg) - centre of gravity 500 mm

Stating tipping load, full turn	2.800
Payload EN 474-3 (80%)	2.200
Payload EN 474-3 (60%)	1.700
Payload DIN 24094 (50%)	1.400



UP3838 (2004)



463F



www.vf-venieri.com



VF Venieri S.p.A.

AZIENDA CON SISTEMA QUALITÀ
CERTIFICATO DA DNV
= UNI EN ISO 9001/2000 =

VENIERI S.p.A.

Eng



- > Max power 86 cv
- > Bucket capacity 1,0÷1,3 m³
- > Max Operative weight 5600 Kg
- > Hydrostatic transmission
- > 4 wheel drive



Standard equipment

- Acoustic warnings
- 1,0 m³ bucket with bolted teeth
- ROPS/FOPS cab with heater, pressurizer recirculating fan, with front and rear windscreen wiper and windshield washer
- Complete instrument board
- Draw bar hook
- Limited slip differential on the front axle
- Fully adjustable seat
- Operation and maintenance manual
- Plugs with keys for fuel and hydraulic tanks
- Safety clamp for lifting cylinders
- Seat belt
- Side rearview mirrors
- Servocontrols
- Soundproofing
- Spare parts catalogue
- Tool box
- Visual index for bucket position
- Working lights
- Yellow rotating and overturning beacon

Yesterday,
today
and
tomorrow.

> ENGINE

Engine: 4 cylinder, turbo-charged, direct injection diesel engine, water cooled, paper dry filter.
Emissioned according to CEE 97/68.

Type	Perkins 804 C-33 T
Max power	63 kW - 86 CV
Rated rpm	2400
Net power ISO/TR 14396	58 kW - 79 CV
Net power EEC/ 80/1269	58 kW - 79 CV
Bore mm	94
Stroke mm	120
Displacement cm ³	3331

> ELECTRIC SYSTEM

Battery	12 Volt
Capacity EN 60095-1	100 Ah - 1080A
Alternator rating	90 A
Reverse warning	Standard
Wiring according with	IP 67 - DIN 40050

> TRANSMISSION

Hydrostatic transmission with automatic power regulation and closed circuit with variable displacement pump and motor. Two forward/reverse speeds with single lever control.

		forward	reverse
1 st gear	km/h	0÷7	0÷7
2 nd gear	km/h	0÷27	0÷27

Automatic second gear on request.

> AXLES

Two heavy duty equal size axles with planetary final drives in each wheel.
Fixed rigid drive axle on front chassis section.
Oscillation drive axle on rear chassis section up to a total angle of 25°.
Transfer gearbox transferring movement directly to the rear and to the front axle via a transmission shaft.
Self locking limited slip differential on front axle.
Self locking limited slip differential on rear axle (optional)

> BRAKES

Service: hydraulic multi-disc oil brake on front axle working on all the wheels.
Parking: mechanical brake operating on the service brake, manually actuated.

> TYRES

Standard	16/70 - 20
Option	405/70 R 20 14.5 - 20

> STEERING

Servo-assisted steering LOAD SENSING system.

Total steering angle	80°
Inner tyres turning radius	mm 2325
Outer tyres turning radius	mm 4175
Outer bucket turning radius	mm 4550

> HYDRAULIC SYSTEM

Hydraulic gear pump with LOAD SENSING priority valve for the steering circuit.
Modular two-element control valve with main relief valve.
Double acting hydraulic cylinders.
Hydraulic oil cooling radiator.
Full-flow oil filter on the leakage pipe.
Single servo-lever arm control with 4 position lifting system and with 3 position bucket system.

Max flow	lt/1'	82
Loader relief valve pressure	bar	230
Steering relief valve pressure	bar	190
Lift cylinders	mm	80 x 586
Bucket cylinder	mm	85 x 445
Cycle time	sec	8.6

> SERVICES CAPACITIES

Engine	kg	7
Gearbox	kg	2
Differential	kg	3,5
Planetary final drive	kg	2
Hydraulic circuit	kg	45
Brake system	kg	1
Fuel	lt	64
Water cooling	lt	15

> TECHNICAL FEATURES

Standard bucket capacity	m ³	1,0
Bucket width	mm	2000
Static tipping load:		
Straight	kg	3800
Full turn 40°	kg	3400
Lifting capacity at max height	kg	2600
Dump clearance	mm	3300
Dump height at 40°	mm	2650
Reach at 40°	mm	800
Breakout force	kg	6600

> DIMENSIONS AND WEIGHTS

Max length in transfer position	mm	5500
Max width in transfer position	mm	2000
Track	mm	1500
Tracks width	mm	1860
Ground clearance	mm	380
Standard operating weight	kg	5400
Max operating weight	kg	5600

